

A CASE STUDY



YEARS ANNIVERSARY



BORN TO BEAM

THE CHALLENGE:

A RISING TERRAIN

NO STAGE

NO TRUSS

LIMITED BUDGET

LIMITED MANPOWER

SPEECH AT 1st



LIVE EXPERIENCE

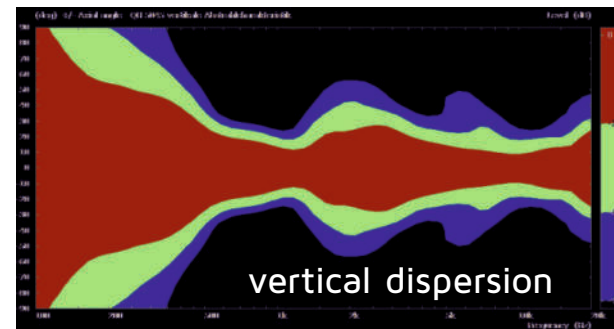
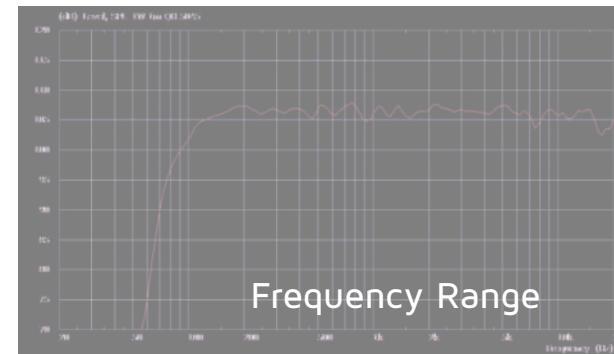
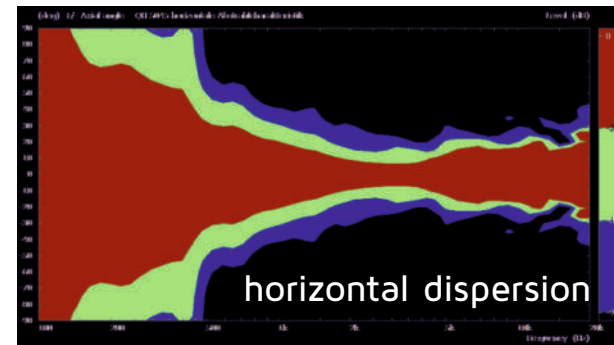
RESPECT ?



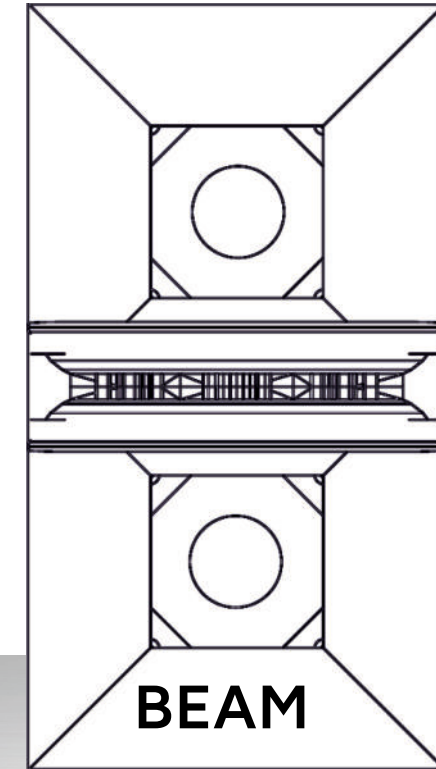
The festivities for the national day in Samtse took place. The approximately 30,000 visitors to this event on a large-scale sports complex were provided sound with several double clusters QH 5045 from the Pano series by K.M.E.

A high speech intelligibility as well as comprehensive sound for the entire area were the task which could be implemented very successfully.

Cooperation with local technicians of Bhutan Telecom Ltd. and our partner Bhutan Sound & Light in the implementation of this project was excellent and very advantageous for all involved.



SOLUTION !



OUR

BEAM

BOX

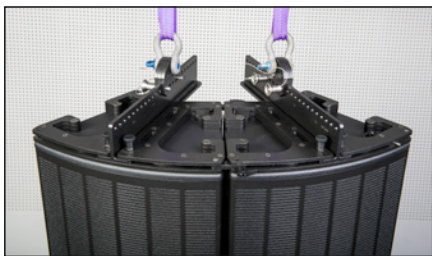
K.M.E.

HYBRID - HORN LOADED ARRAY TECHNOLOGY

RESPONSIBILITY



- Top class mechanics - precise and safe !
- Accurate lacquering !
- Robust housings !
- Long-term functionality !
- High-end performance !



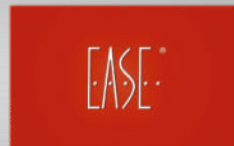
HIGH SPL GUARANTEED

2 x 10" + 4 x 1" Neodymium / 700 Watts AES Power

SPL nom / max (*dB) 107 / 137

AES / Program (Watts) - 700 / 1400

The QH 5045 V2 is optimized for clustering of max. three units, both in groundstacking and flying mode.

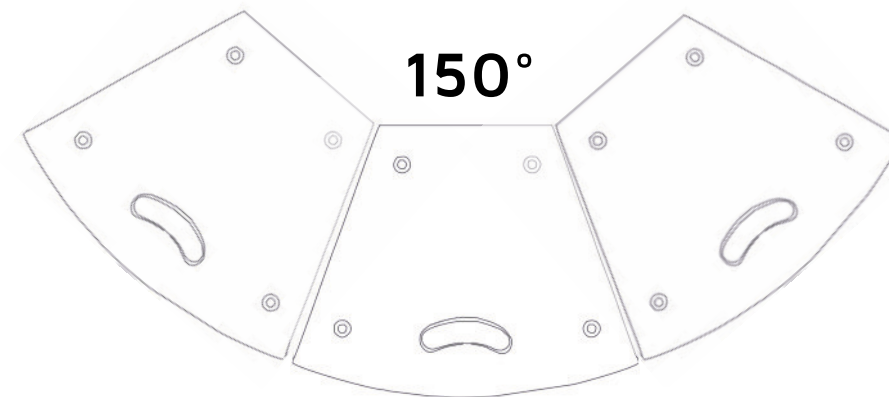


Setup of the PA lifts with total 4,2KW AES Power Mid / HF

SATELLITE POWER



THE BEAM-TRIO



RELIABLE ENGINEERING

ONE FOR BOTH:

A dispersion of 50° horizontal and 45° vertical.
The hybrid array element is an absolute novelty in the combination of Line source and Point source technologies.

UPDATE YOUR SUCCESS



Klingenthaler Musikelektronik GmbH
Auerbacher Straße 268
08248 Klingenthal-Germany
phone +49 (0) 37467-558-0
fax +49 (0) 37467-558-33
info@kme-sound.com
www.kme-sound.com

Data sheet:
Text for invitation to tender, drawings,
pdf data sheets and the user manual are
available for download at www.kme-sound.com.

